

# Miter-T-Fence™ Mounting Instructions

Miter-T-Fence™ will improve the accuracy of your miter cuts and provides support close to the blade to eliminate tear out. Designed to bolt on your existing miter gauge. Our Miter-T-Fence™ increases your face of the miter gauge to 2 5/16" high by 22" long with built in extension bar which increases capacities up to 36" in length for reparative cuts. Made from precision extruded aluminum with smooth anodized coating for long life and easy adjustments. Made in U.S.A

## Mounting Methods

### Method One:

1. Cut a block of wood 3/4" thick and 2 1/4" high and 4" longer than the face of your miter gauge.
2. Drill two 1/4" holes in your mounting block 1 1/2" from the bottom and 1" in from either end.
3. Mark a centerline on the board and on the miter gauge face and line the two up mounting the board to the miter gauge with wood screws. (Note: Because miter gauges vary in thickness screws are not included.)
4. Slide the two 1/4" hex bolts in the T-Slot in the back of the Miter-T-Fence™ and throw the two holes in the mounting block and lock in place with two knobs or wing nuts.

SEE FIGURE A

### Method Two:

1. Find and mark the center of your miter gauge face
2. Measure and mark one inch from the left of the center and one inch from the right of center and 1 1/2" up from the bottom of the miter gauge face
3. Drill a 1/4" hole on each of those marks
4. Slide the two 1/4" hex bolts in the T-Slot in the back of the Miter-T-Fence™ and throw the two holes you drilled in the miter gauge face and lock in place with two knobs or wing nuts.

SEE FIGURE B

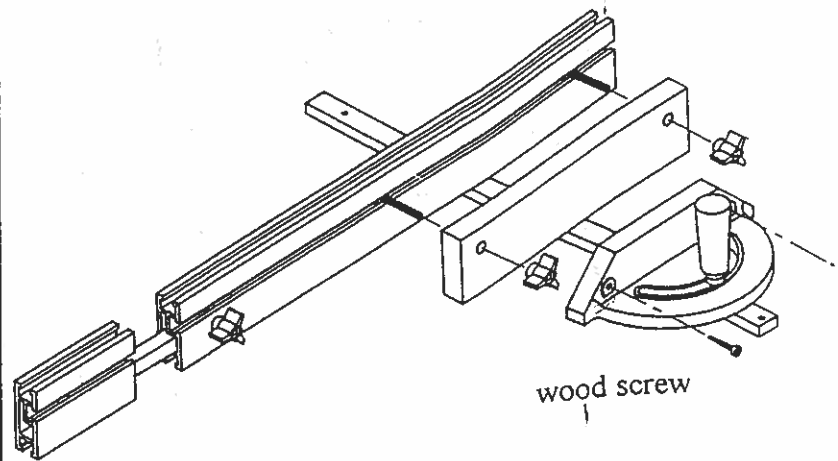
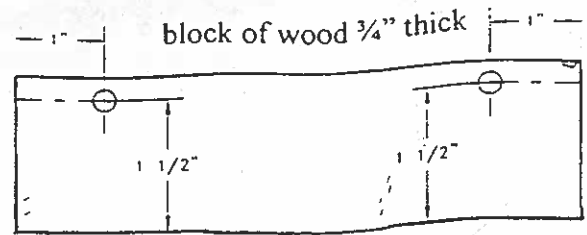


FIGURE A

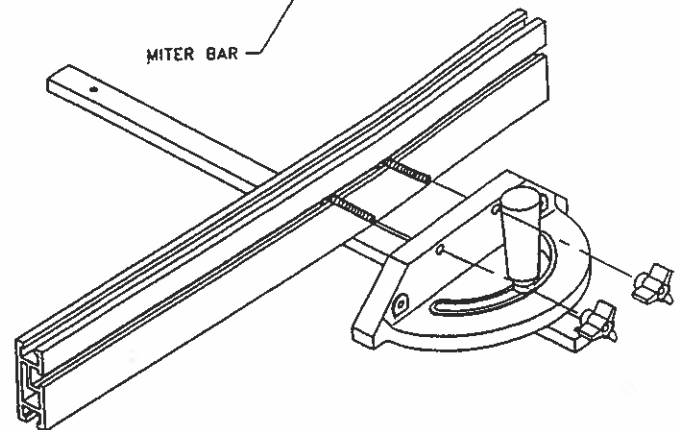
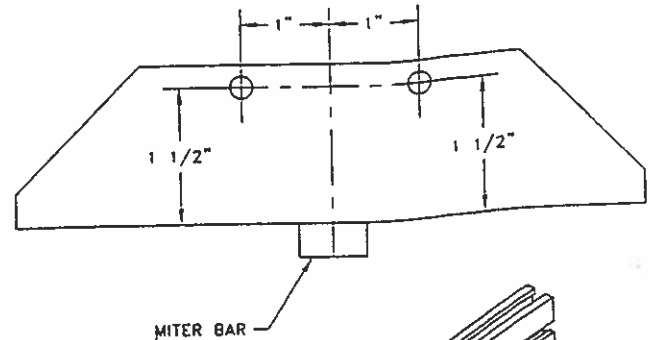


FIGURE B

