

BOARD MATES

INSTRUCTION MANUAL

ANTI-KICKBACK HOLD DOWN DEVICES

Introduction

Board Mates use non-marring neoprene rubber wheels that turn clockwise only, these wheels work as anti kickback and hold down devices. The Board Mates body is made of die-cast aluminum with a spring loaded swing arm that applies pressure down on a work piece as it rolls under the anti-kickback wheels. The Board Mates system has adjustments for spring tension as well as forward and backwards body adjustment after mounting. Board Mates come in pairs which can be mounted on fences 1-1/2" to 3" high x 1" or wider. Each Board Mate consists of mounting bracket, swing arm body with spring, and an adjustable roller. *See Figures 2 and 3.*



SAFETY FIRST

NO ANTI-KICKBACK DEVICE WILL MAKE
YOUR MACHINE COMPLETELY SAFE!
Read and understand your machine operators
manual, and know the machine limitations.

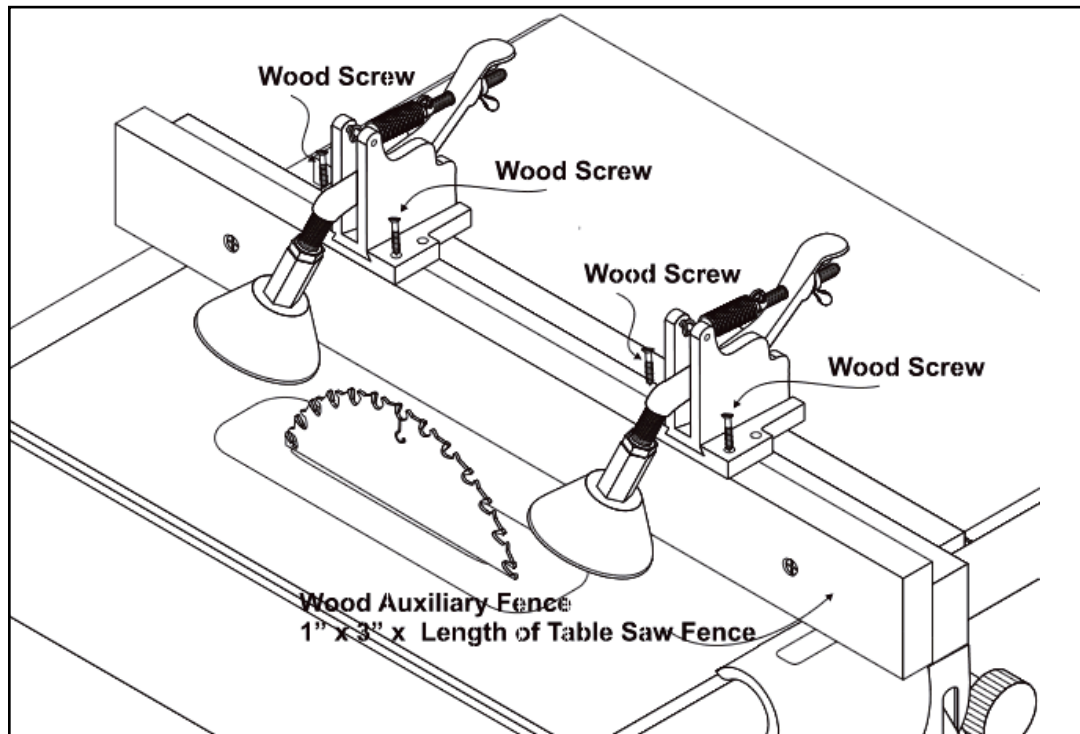


Figure 1. Typical Board Mates Application.

Board Mates Parts Exploded View

Board Mates Assembled View

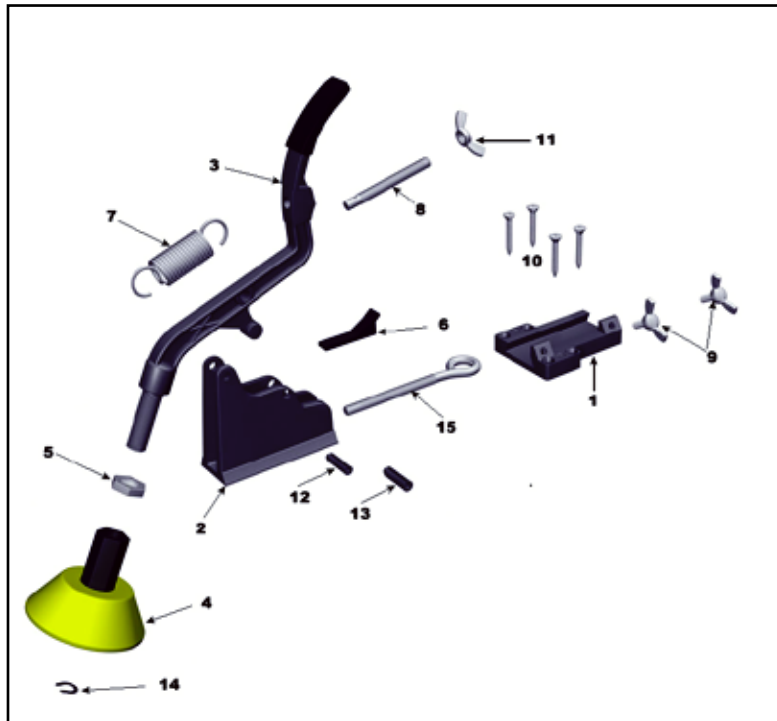


Figure 2

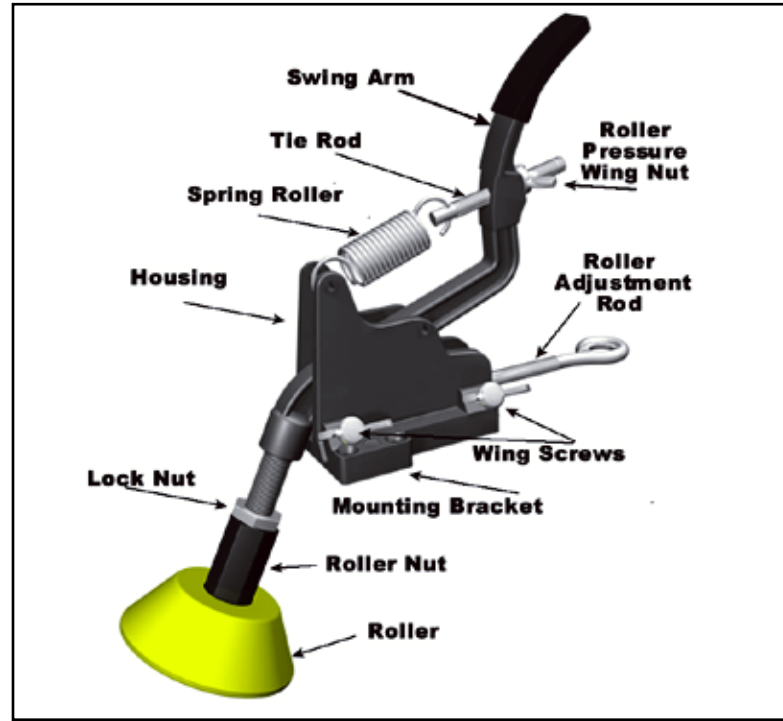


Figure 3

Parts Detail and List

Item	Description
1	Mounting Bracket
2	Housing
3	Swing Arm
4	Roller (yellow)
5	Lock Nut 1/2" x 20 tpi
6	Shoe
7	Spring
8	Tie Rod 8mm x 20 x 2 1/2"
9	Wing Screw 8mm x 20
10	Wood Screw #10 x 1 1/2"
11	Thumbscrew 6mm x 25 x 3/4"
12	Roll Pin 5 x 20MM
13	Pivot Pin 6 x 20MM
14	Retaining Ring 9MM
15	Adjust Rod 8mm x 20 x 2"

Figure 4

CAUTION:

Please read, understand, and follow all manufacturers instructions, guidelines and owners manuals that come with your power tools.

Assembly Instructions

Your BOARD MATES are partially assembled from the factory; however, some minor assembly and adjustment is required using Figure 2 and Figure 3 for reference.

The Board Mates brackets (1) can be installed directly on an auxiliary wood fence (not included) or optional T-track (not included) and Board Mates Mounting Blocks (not included). The optional T-track also mounts to a auxiliary wood fence or table saw fence top edge.



WARNING

Make sure your machine is unplugged and the saw blade has stopped before you assemble, install, or adjust BOARD MATES. Otherwise serious personal injury could result!

To assemble your BOARD MATES , see Figures 2 and 3 for item numbers and do these steps:

1. Thread the lock nut (5) onto each swing arm (3).
2. Thread the roller (4) onto each swing arm no less than 1/2", and tighten the lock nut (5) against the roller nut (4).
3. Slide the housing (2) into the mounting bracket (1) and tighten the wing screws (11).



WARNING

A roller nut that is not threaded on the pivot arm far enough or a loose lock nut could render the hold-down feature useless and could cause personal injury.

Board Mates Installation

Option 1 install your BOARD MATES using a auxiliary wood fence. Figure 5

1. Make an auxiliary wood fence that is approximately 3" tall, 1" thick, and is the length of the machine fence.
2. Mount the auxiliary wood fence to your machine with countersunk fasteners.
3. Position the Board Mate on the auxiliary fence so it does not protrude into the path of the stock. See Figure 5
4. Position the rollers so they are not closer than 1/2" to the front and rear of the saw blade.
5. Position the Board Mates on the auxiliary fence so when the blade is adjusted upward for greater cutting depth it will not contact the rollers.
6. Mark the FRONT screw hole locations and drill the pilot holes into the wood fence for the wood screws (REAR holes are not used in this mounting option). See Figure 5.

7. Install the Board Mates with the provided wood screws.

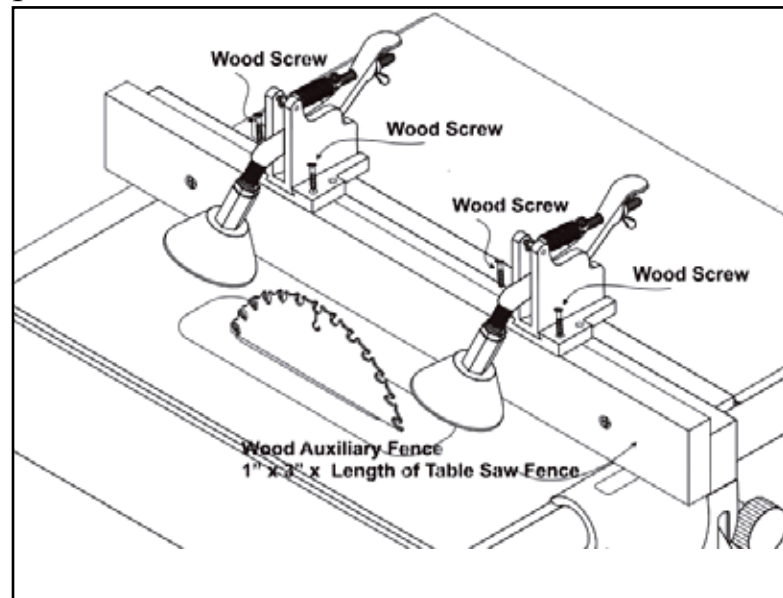


Figure 5.

Option 2 install your BOARD MATES using Board Mates Mounting Blocks (sold separately) on a table saw fence with 1/4" T-slots. Figure 6

1. Install the Board Mates Mount blocks in the T-Slot closest to the blade side of the table saw fence. Figure 6

2. Position the Board Mates on the Board Mates Mounting Block so they do not protrude into the path of the stock. Mark the screw hole locations using the drilling template provided with the Board Mates Mounting Blocks and drill pilot holes into the Mounting Blocks for the wood screws. Install the Board Mates with the provided wood screws.

3. Using the Board Mates Mounting Blocks position the rollers so they are not closer than 1/2" to the front and rear of the saw blade. Then position the Board Mates on the Board Mates Mounting Blocks so when the blade is adjusted upward for greater cutting depth it will not contact the rollers.

4. Lock the Board Mates in to position with the Board Mates Mounting Blocks locking knob.

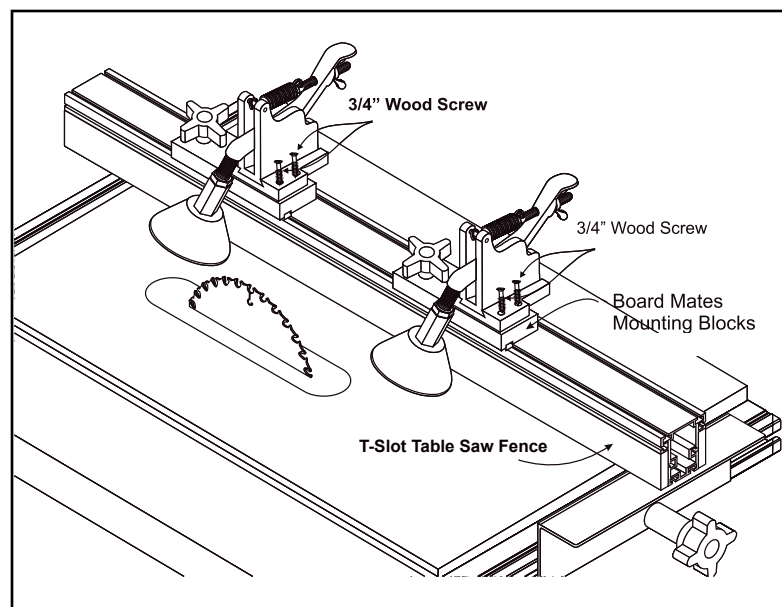


Figure 6

Option 3 install your BOARD MATES using Board Mates Mounting Blocks (sold separately) on a table saw fence with 1/4" T-Track (sold separately). Figure 7

1. Install 1/4" T-Track on the top edge of the table saw fence closest to the table saw blade using metal screws. Figure 5

2. Install the Board Mates Mount blocks in the T-Slot of the 1/4" T-Track.

2. Position the Board Mates on the Board Mates Mounting Block so they do not protrude into the path of the stock. Mark the screw hole locations using the drilling template provided with the Board Mates Mounting Blocks and drill pilot holes into the Mounting Blocks for the wood screws. Install the Board Mates with the provided wood screws.

3. Using the Board Mates Mounting Blocks position the rollers so they are not closer than 1/2" to the front and rear of the saw blade. Then position the Board Mates on the Board Mates Mounting Blocks so when the blade is adjusted upward for greater cutting depth it will not contact the rollers.

4. Lock the Board Mates in to position with the Board Mates Mounting Blocks locking knob.

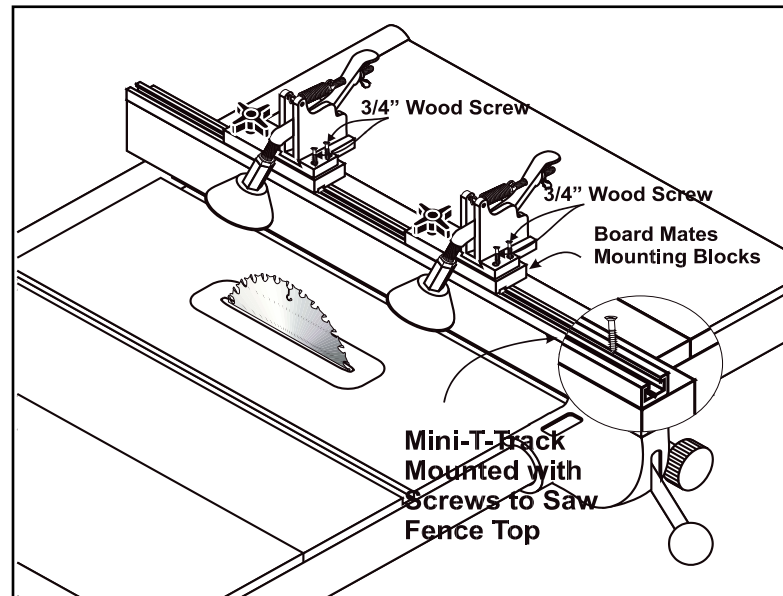


Figure 7

Safety and Operation

Board Mates help prevent kickback by maintaining pressure against the stock with clockwise rotating rollers. See Figure 8.

1. Move the Housing (2) (Figure 2) in or out and align the rollers on the stock between the line of cut and the fence, and tighten the position (9) (Figure 2) wing screws.
2. Adjust the roller nut, the lock nut, and the Adjust Rod (15) (Figure 2) so the roller height is approximately 1/8" less than the stock thickness.
3. Turn the roller pressure Adjust Rod (15) (Figure 2) so the roller applies a firm pressure on the stock, but does not tilt the Board Mates off of the fence or T-Track.
4. Make sure Board Mates DO NOT touch the saw blade during machine operation.
5. DO NOT adjust or reposition the Board Mates while the saw is running. Wait until the saw comes to a complete stop before making any adjustments.
6. Keep your hands away from all cutting tools, and use approved push sticks correctly.
7. Feed stock evenly and smoothly.

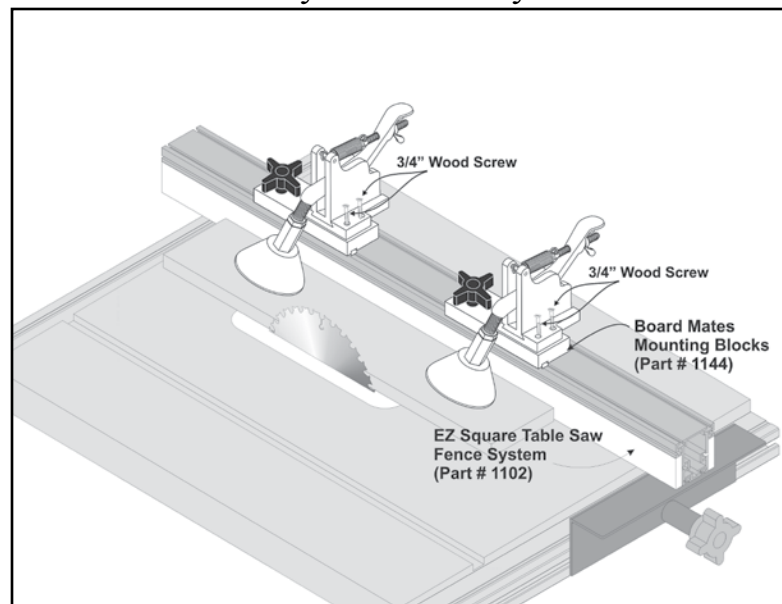


Figure 8

Maintenance

Your BOARD MATES are designed for dependable service and easy operation. However like all shop tools, they need periodic inspection and cleaning.

- NEVER Oil Board Mates parts. Oil will attract sawdust and foreign material which could jam the operating parts or stain your stock.
- ALWAYS make sure the jam nut (5) (Figure 2) and the position locking thumbscrews (9w) (Figure 2) are tight, and the Board Mates are correctly adjusted.

Troubleshooting

Solutions for common Board Mates problems:

The Board Mates does not clamp down on the stock as it should, the swing arm binds, or the roller tension does not adjust correctly.

w

1. Refer to the Safety and Operation section and re-adjust the Board Mates correctly.
2. Remove and clean the threads of the adjusting screws and thumbscrews. Replace any stripped adjustment screws and re-adjust.
3. Depress the swing arm (3) (Figure 2) and remove the shoe (6) (Figure 2). Clean out any foreign material that is preventing the shoe from sliding inside the housing (2) (Figure 2).
4. Replace the shoe if it is broken or worn. The Board Mates roller does not lock rotation.
 1. Incorrect roller, replace the roller with the correct roller.
 2. The roller is broken. Replace the roller with a new one. DO NOT rebuild the rollers.