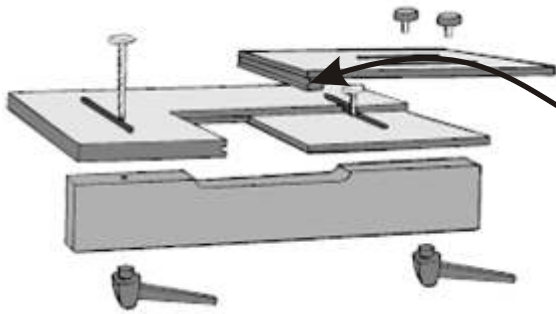


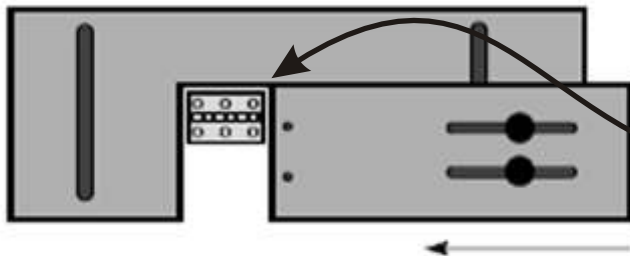
Mortise Jig Instructions

ASSEMBLY



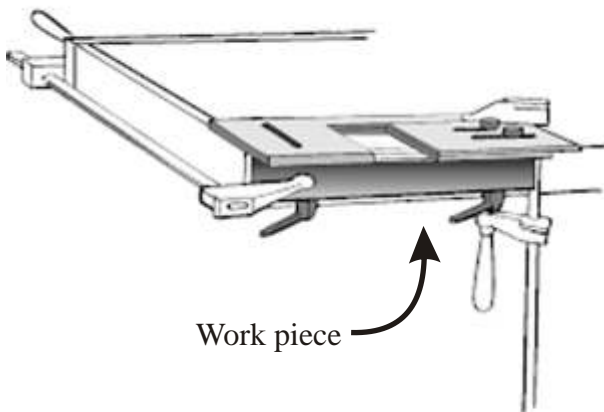
Assemble as shown (left). Insure that the notch in the fence is positioned to match the jig hinge opening.

USE

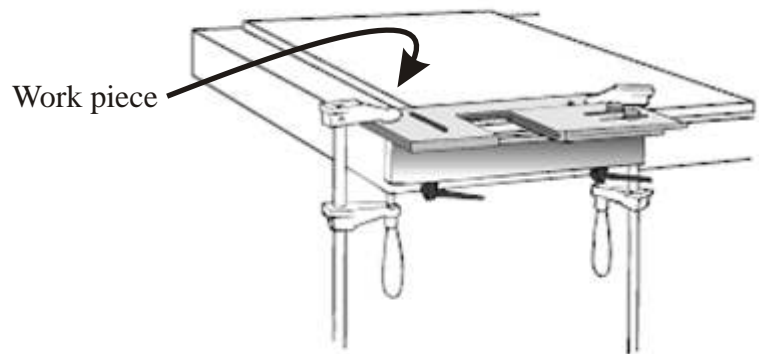


(1) Position hinge or hinge template in opening of jig and move slide bar in place.

(2) This jig allows for the flexibility of positioning the knuckle of the hinge wherever you wish. It is common to center the knuckle on the joint, or you may wish to make it flush, or fully exposed. To set the jig for width, begin by marking the hinge on the project where you intend to place it. Place the jig onto the project and use your mark as a guide to set fence into place. Tighten down fence. It is important that the fence is square to the jig so that the hinge will mount and operate properly. Squareness of the fence can be cheked by measuring at both ends of the fence to the front edge of the jig. It should measure the same at both ends.



Work piece



Work piece

(3) Place jig into position and hold in place with clamps (not included).

(4) With router placed on jig, set the depth of the bit accordind to the thickness of hinge being installed.

(5) Rout mortise.

(6) Square out corners of mortise with hand chisel.

(7) Install hinge



www.ptreeusa.com
Peachtree Woodworking Supply, Inc.

Atlanta, GA (888) 512-9069

Peachtree Woodworking Supply offers a complete line of premium woodworking shop supplies for the home and professional woodworker.

"Your One Stop Supply Shop"