

1/8



Micro Jig, Inc.
PO Box 195607
Winter Springs, FL 32719 USA

Tel: 407-696-6695
Web site: www.microjig.com
Email: sales@microjig.com

Copyright © 2007 Micro Jig, Inc.

1/8" Side Leg (model # GRP-11G)

or

1/8" Side Leg & New Center Leg Combo Pack (model # GRP-113) for the GRR-Ripper® System

User Manual (V1.0) 09/07

Please read the user manual thoroughly before using product.
Rip as narrow as 1/8", compatible with all GRR-Ripper® System models.

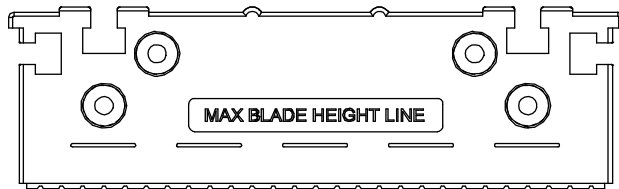
Two ways to install the 1/8" Leg:

1. Quickly install onto the 1/4" or 1/2" Side Leg of your existing GRR-Ripper® System
2. Install directly onto the Main Body of the GRR-Ripper® System with the New Center Leg for Zero Clearance Effect.

Made in USA

Model # GRP-11G - Package Contents

(1/8" Side Leg Only)



1/8" Side Leg (part # GRP-11G) - 1 piece

- (L) 10-32 x 1/2" Pan Head screws - 2 pieces
- (A) #10 x 7/16" OD washer - 2 pieces
- (C) 9/32" OD O-Ring - 2 pieces

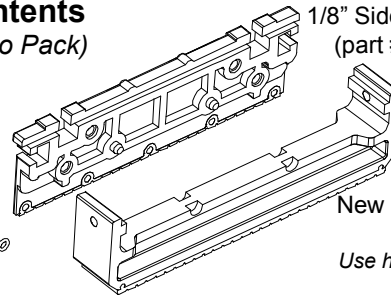
Model # GRP-113 - Package Contents

(1/8" Side Leg and New Center Leg Combo Pack)

(L) 10-32 x 1/2" Pan Head screws - 2 pieces

(A) #10 x 7/16" OD washer - 2 pieces

(C) 9/32" OD O-Ring - 2 pieces



1/8" Side Leg - 1 piece
(part # GRP-11G)

New Center Leg - 1 piece
(Part # GRP-3)

Use hardware from existing Center Leg

Two options to install the 1/8" Leg

Option 1 — Install it onto the 1/4" or 1/2" Leg

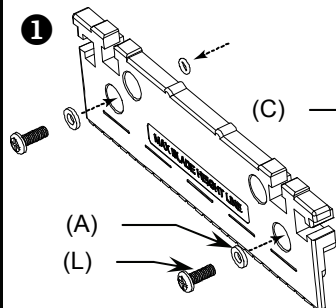


Figure 1:
Insert one 10-32 x 1/2" Pan Head screw (L) and one washer (A) through each of the lower counter-bored holes on the 1/8" Leg, then thread the O-Ring (C) onto the screw body (L) from the opposite side of the 1/8" Leg.

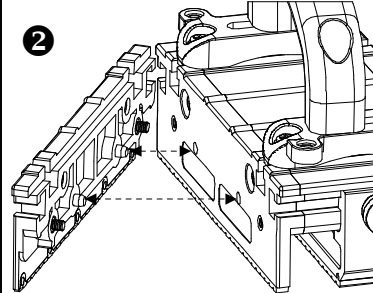


Figure 2:
Line up the two tabs on the 1/8" Leg to the alignment holes on the 1/2" or 1/4" Side Leg, tighten the two screws to the brass inserts on the 1/2" or 1/4" Side Leg.

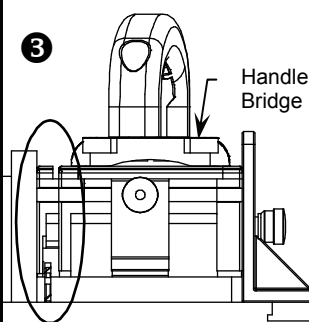


Figure 3:
With the 1/8" Leg secured to the 1/2" or 1/4" Leg, the tunnel has a fixed width of 3/8" and 1/2" in height. Maximum width of cut is 9/32" within this tunnel when using a 1/8" thick saw blade.
The GRR-Ripper® shown is equipped with an optional Handle Bridge Kit.

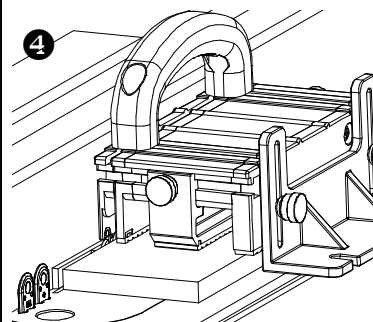
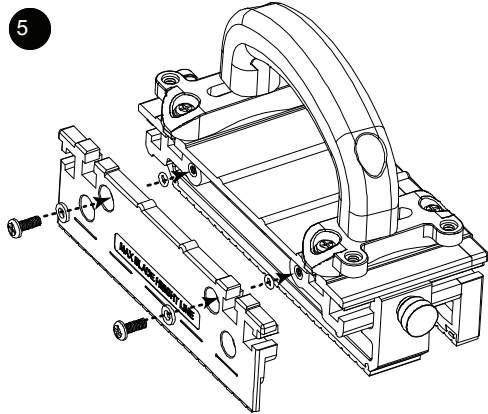


Figure 4:
If Handle Bridge Kit is not installed on your GRR-Ripper®, you must adjust the Handle so it is directly located above the cut line to obtain balanced pressure to both sides of the saw blade.

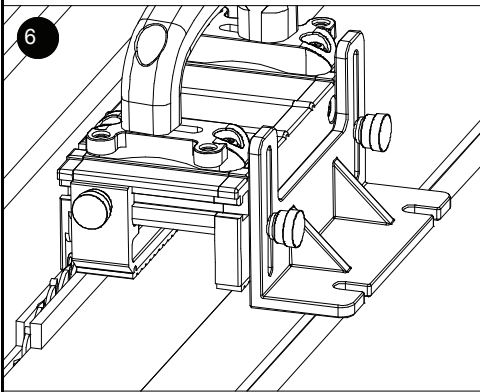
5

**Figure 5**

Remove the 1/4" or the 1/2" Side Leg from the GRR-Ripper®. Insert one 10-32 x 1/2" Pan Head screw (L) and one washer (A) through each of the upper counter-bored holes on the 1/8" Leg, then thread the O-Ring (C) onto the screw body (L) from the opposite side of the 1/8" Leg. Secure the 1/8" Leg to brass inserts on the Main Body; identical to how the 1/4" or 1/2" Leg is installed.

The GRR-Ripper® shown is equipped with an optional Handle Bridge Kit. Handle Bridge kit is for distributing balanced pressure to both sides of the saw blade at all times; adjusting the handle is virtually eliminated.

6

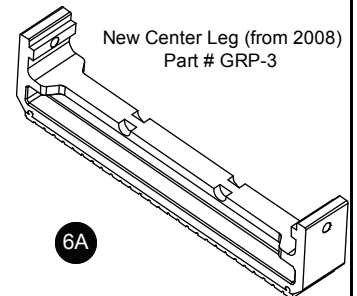
**Figure 6**

With the 1/8" Leg installed on the Main Body, the tunnel width can be as narrow as 1/16" by adjusting the New Center Leg. This will allow the GRR-Ripper® to rip a 1/8" strip and feed both sides of the stock that is as narrow as 3/8". It also provides zero clearance capability while ripping 1/8" veneer strips.

Figure 6A

To adjust to a 1/16" tunnel, a new Center Leg must be installed on the GRR-Ripper®.

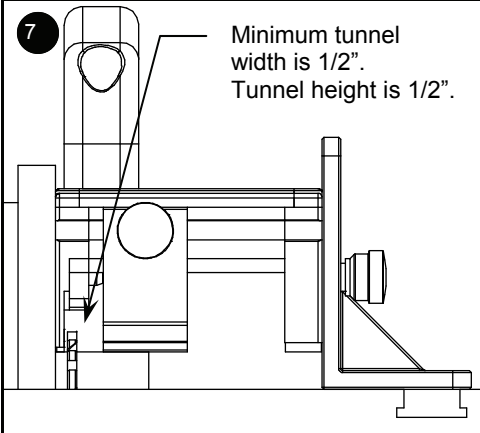
All GRR-Ripper® Models manufactured from year 2008 are equipped with the New Center Leg (GRP-3).



6A

New Center Leg (from 2008)
Part # GRP-3

7



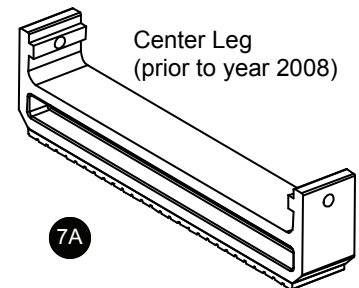
Minimum tunnel width is 1/2".
Tunnel height is 1/2".

Figure 7

If your existing GRR-Ripper® has the older style Center Leg as shown in figure 7A, the minimum tunnel width is a 1/2".

With this setup:

- To feed both sides of the stock the minimum stock width is 3/4".
- No Zero Clearance effect when ripping 1/8" veneer or other material.
- Handle must be adjusted directly above the cut line if the GRR-Ripper® is not equipped with Handle Bridge kit as shown in figure 7.

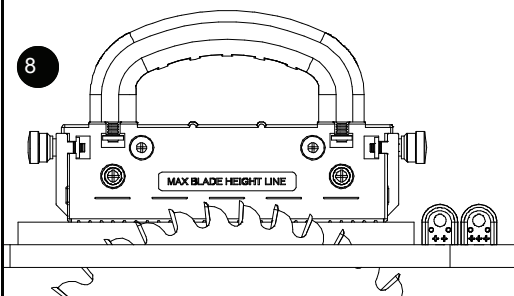


7A

Center Leg
(prior to year 2008)

Please observe the following precautions when using the 1/8" Side Leg.

8

**Note:**

- The 1/8" Leg has a tunnel height of 1/2". Do not raise the saw blade higher than 1/2" above stock surface when using the 1/8" Leg (see Figure 3 and Figure 7). Blade height reference line is molded on the outer surface of the 1/8" Leg (Figure 8).
- Using the 1/8" Leg in conjunction of the MJ Splitter or MJ Splitter Steel PRO provides safer and better results when ripping stock of 1/2" and thicker.
- Do not use the 1/8" Leg for ripping width that is wider than 9/32". Use the 1/4" or 1/2" Leg for wider cuts.