

How to Mount The Aluminum Miter Fence

11563

Version 1.0

Safety First



Disconnect machine from power source before making any adjustments.



Always wear proper ear protection when working with machinery.



Use caution when handling sharp objects (saw blades, router bits, drill bits and so on). Use protective gloves whenever possible.



Always wear proper eye protection when working with machinery and tools.

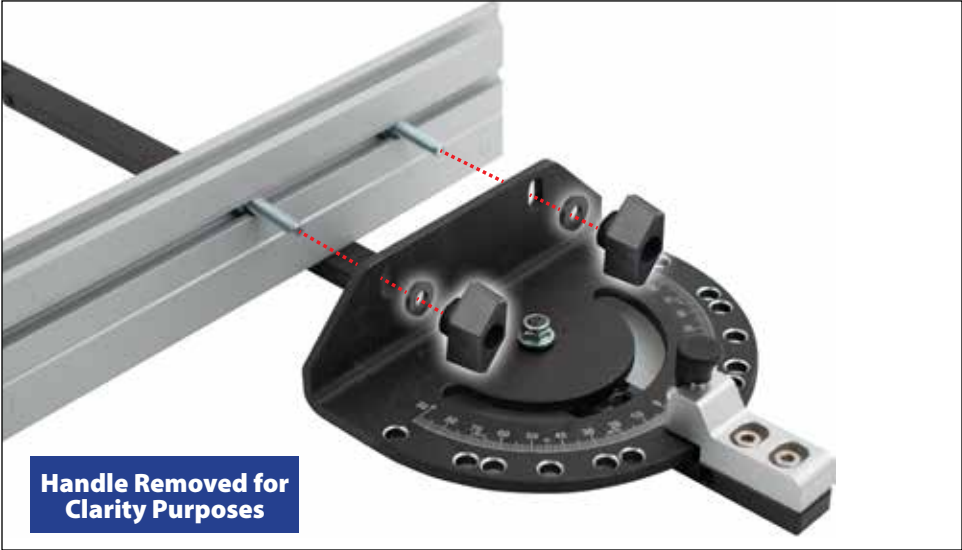


Always wear proper respiratory protection when working near airborne dust particles.

Please read and fully understand any and all safety materials that came with your power tools or machinery before operation. Always follow all safety guidelines set in place by the power tool or machine manufacturer.



Mount Fence to Pre-Drilled, Precision Miter Gauges.



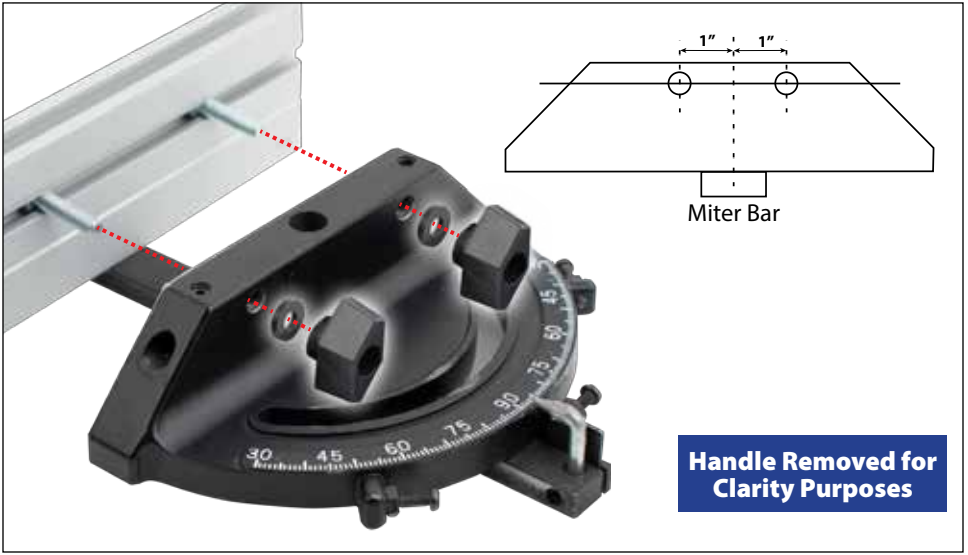
Many modern precision miter gauges are pre-drilled at a standard height to accept miter fences. In this case, simply align the bolts with the holes, and secure the fence to the gauge using the supplied bolts, washers and t-knobs.

Mount Fence to Slotted Mount Miter Gauges.



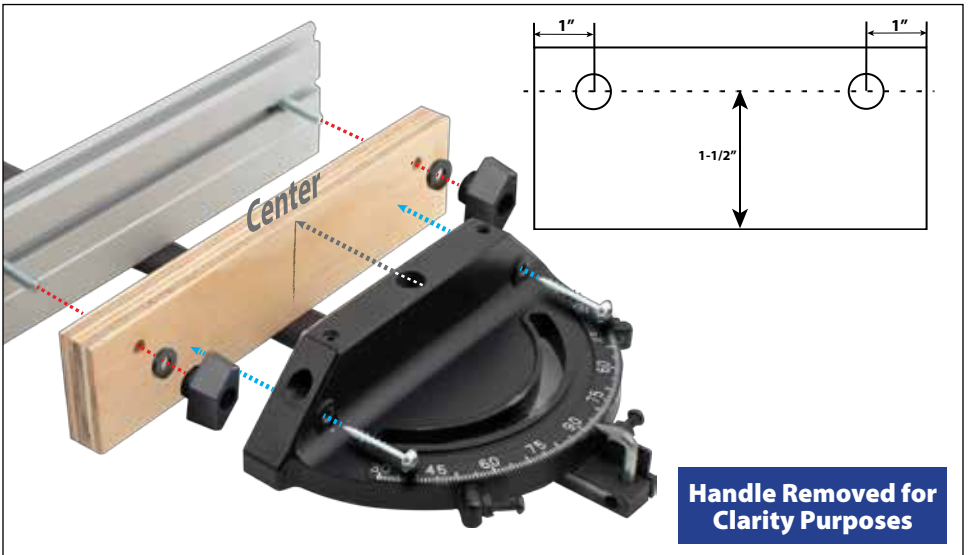
Some miter gauges come with slots instead of holes. Simply guide the bolts into the slots and secure the miter fence to the miter gauge using the supplied bolts, washers and t-knobs.

Mount Fence to Older Miter Gauges By Drilling Holes



Some older miter gauges no holes at all in them. To secure the fence, drill two 1/4" holes 1" from center and 1-1/2" from the bottom of the face of your miter gauge. Secure the miter fence to the miter gauge using the supplied bolts, washers and t-knobs.

Mount Fence To Older Miter Gauge with a Mounting Block



Cut a 3/4" piece of wood that 2-1/4" tall and 4" wider than your miter gauge face. Drill two 1/4" holes 1 1/2" from the bottom and 1" in from either end of the wood block. Mark a center line on the block and on the miter gauge face. Line the two up and mount the wood block with wood screws. Secure the miter fence to the block using the supplied long bolts, washers and t-knobs.

Choice of Right or Left Reading Measuring Tapes



We have included an 18" right reading and an 18" left reading tape. Use whichever tape you prefer or choose based on which side of the blade you cut on the most.

Shop Tip...

Stick Your Tape on the Fence Upside Down



Sounds a little crazy right? Think about it. When using the miter gauge with a fence, you're always going to be looking at the measuring tape from the top down. So why not stick it on upside down so you can clearly read the numerals and measurement markings.

Miter Fence Can Be Adjusted for Either Side of the Blade



Once the fence is mounted to your miter gauge you can adjust the placement of the fence by simply loosening the knobs and sliding the fence into the desired position. Make sure that you leave at least 1/4" of space between the fence and the blade. Once adjusted, make sure you secure the fence in place by firmly tightening the knobs.



When switching the fence from one side to the other, make sure that you re-adjust the distance between the fence and the blade to be at least 1/4" of space.