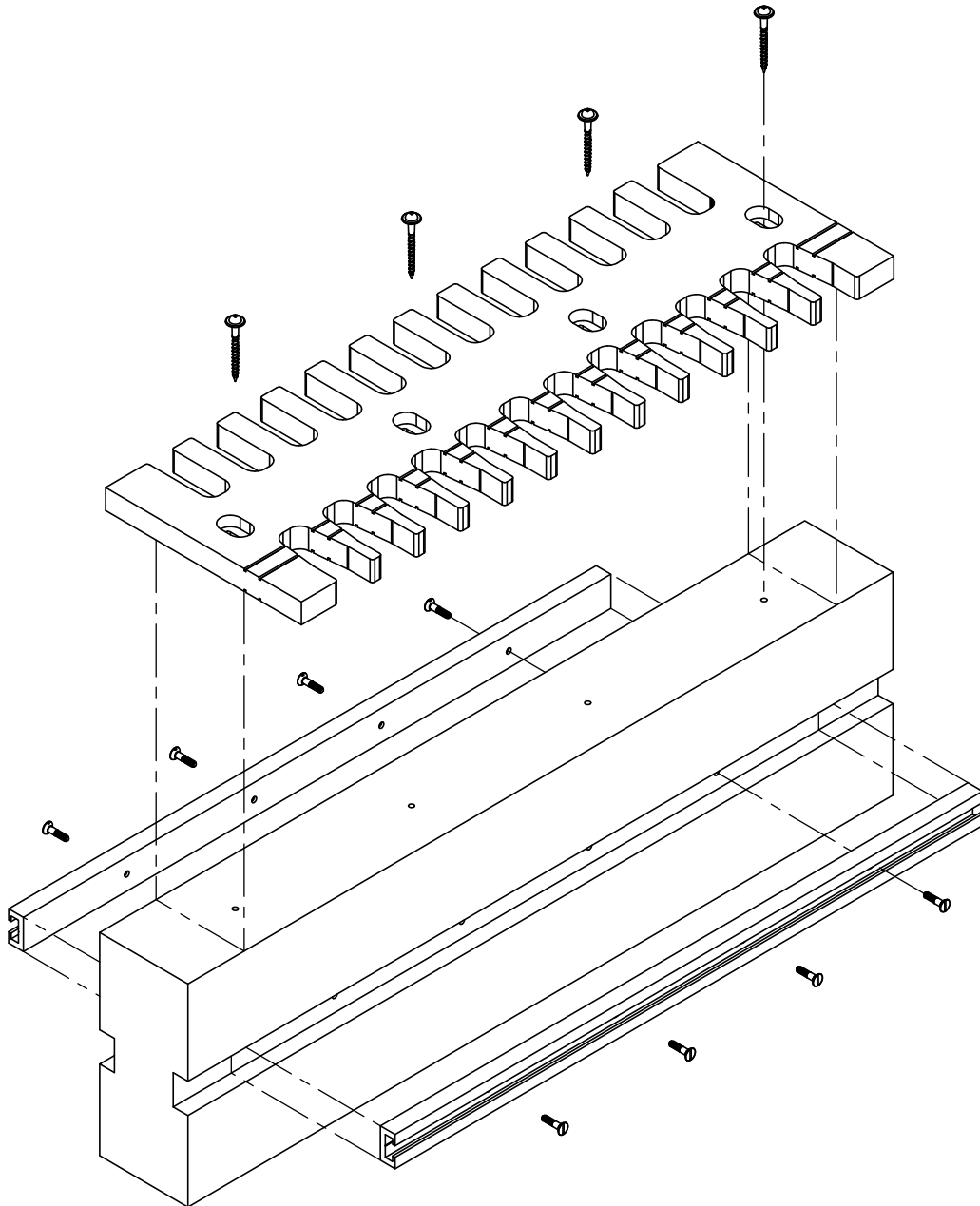
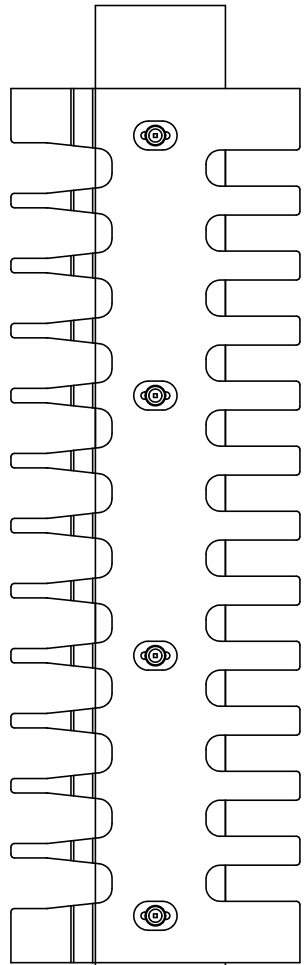




# Peachtree 15" Dovetail Mounting Block Instructions



# MOUNTING BLOCK

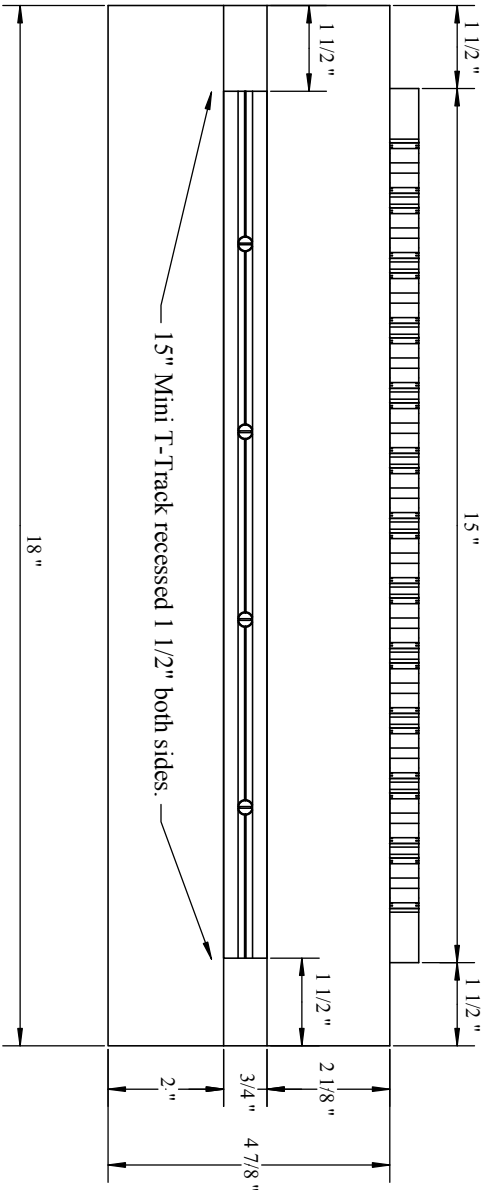


MOUNTING BLOCK is 3 pieces of 3/4" stock glued together to make one piece of 2-1/4" thick stock. Then the block is trimmed down to 18" x 4 7/8" x 2 1/4".

2 1/4" (The block MUST be this thickness)

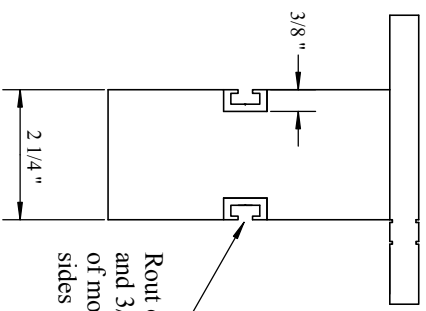
## TOP VIEW

NOTE:  
Align inside scribe line to edge of mounting block as shown here for standard size bits. (Refer to manual)



1 1/2" Mini T-Track recessed 1 1/2" both sides.

## FRONT VIEW



NOTE:  
Rout or dado slot 3/4" wide and 3/8" deep the full length of mounting block on both sides for mini T-Track.

## RIGHT SIDE VIEW