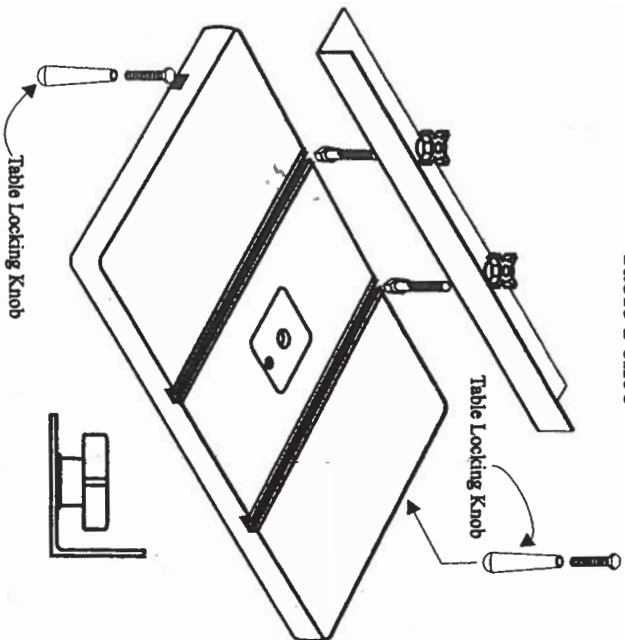
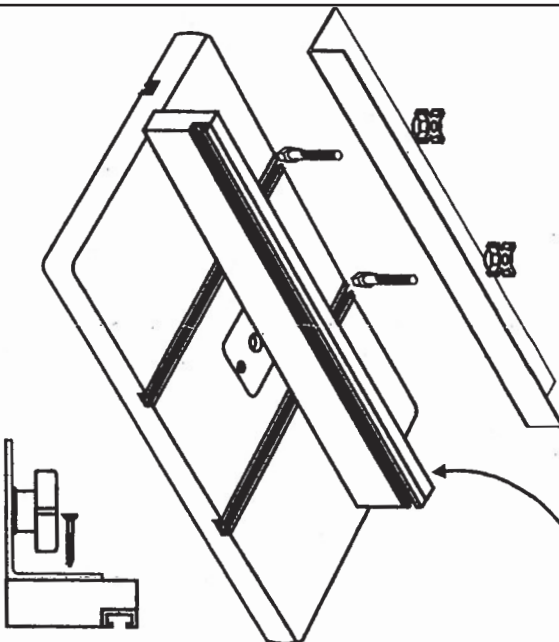


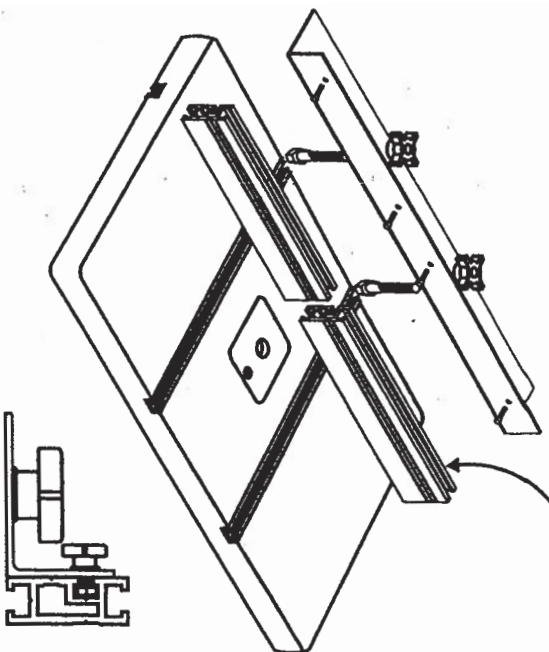
Typical 24" Aluminum L Fence Installation
on Drill Press Table as stand alone Drill Press
Table Fence



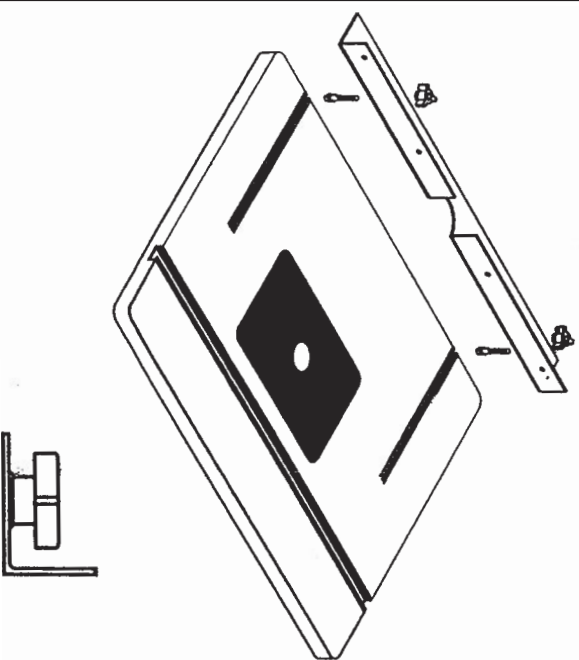
Typical 24" Aluminum L Fence Installation
on Drill Press Table with optional Part #1017
Wooden Fence



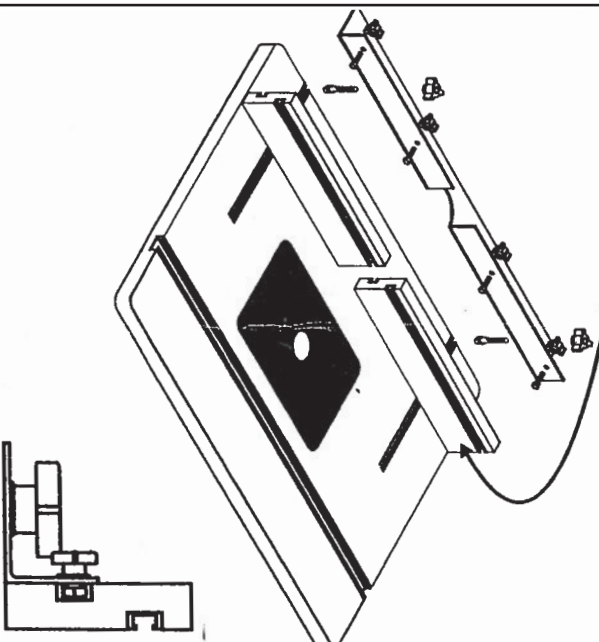
Typical 24" Aluminum L Fence Installation
on Drill Press Table with optional Part #1099
Aluminum Fence Sections



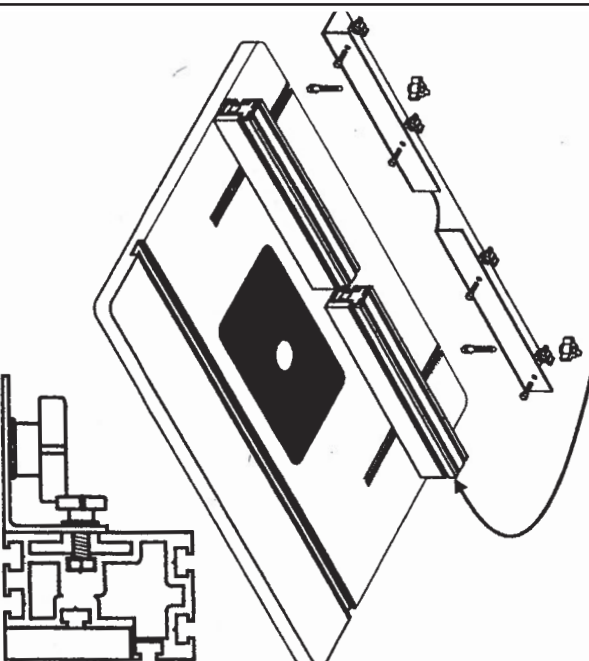
Typical 32" Aluminum L Fence Installation
on Router Table as stand alone Router Table Fence



Typical 32" Aluminum L Fence Installation
on Router Table with optional
Part #1093 Wooden Fence Sections



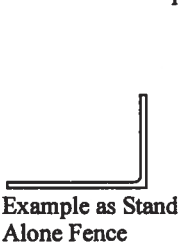
Typical 32" Aluminum L Fence Installation
on Router Table with optional
Part #1111 Uni-T Router Fence Sections



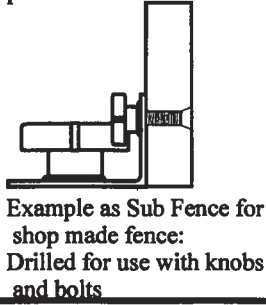
24", 32" and 48" Aluminum Fence - No Holes

Typical Uses: Stand alone fence or sub fence for router tables, drill press tables and shop made jigs and fixtures.

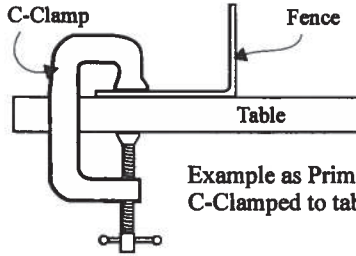
Typical Mounting Options: Drill as application requires for use with knobs and bolts. Clamp in place with C or other clamps.



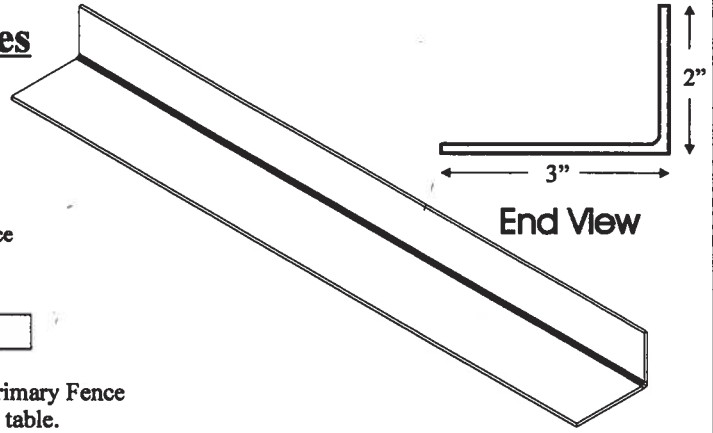
Example as Stand Alone Fence



Example as Sub Fence for shop made fence:
Drilled for use with knobs and bolts



Example as Primary Fence
C-Clamped to table.

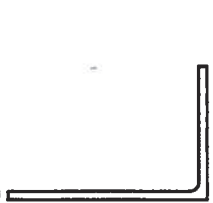


Knobs, bolts and other mounting hardware not included

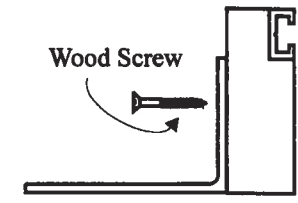
24" Pre-Drilled Aluminum Fence

The 24" Pre-Drilled Aluminum Fence is drilled on the fence face with four 1/4" fence mounting holes and slotted on base (bottom) side for 3/8" bolts.

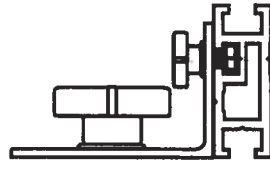
Typical Uses: Stand alone fence or sub fence for drill press tables and shop made jigs and fixtures.



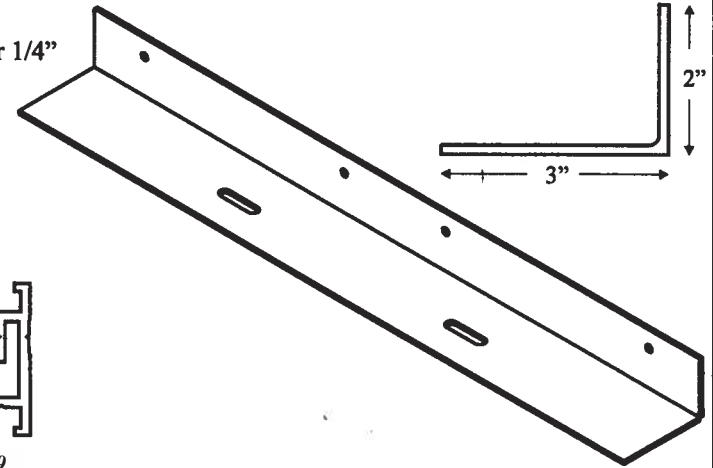
Example as Stand Alone Fence



Example with Part #1017 mounted to fence.
Optional Fence Not Included



Example with Part #1099 mounted to fence.
Optional Fence Not Included



Knobs, bolts and other mounting hardware not included

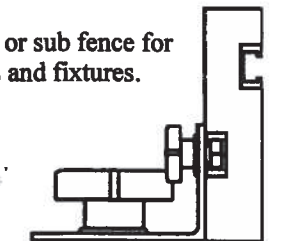
32" Pre-Drilled Aluminum Fence with center hole

The 32" Pre-Drilled Aluminum Fence is drilled on the fence face with four 1/4" fence mounting holes and slotted on base (bottom) side for 1/4" bolts.

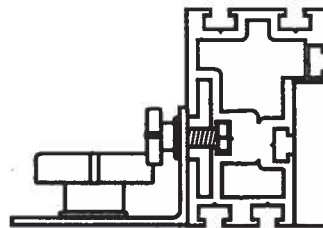
Typical Uses: Stand alone fence or sub fence for router tables and shop made jigs and fixtures.



Example as Stand Alone Fence



Example with Part #1093 mounted to fence.
Optional Fence Not Included



Example with Part #1111 screwed to fence.
Optional Fence Not Included

Knobs, bolts and other mounting hardware not included

Aluminum Fence Alignment

Depending on the fence mounting surface and that the Aluminum Fence is made from a non-machined extrusion there may be some shimming required to bring the fence or an add on fence square. The amount of shimming required is very slight and can normally be done with masking tape.

Shimming Examples:

