

Dust Collector Remote Control System

Version 1.0

This System has been designed for use with dust collectors only. There are two versions (110v for dust collectors up to 1½ HP and 220v for dust collectors up to 3 HP). The unit works by plugging your dust collector into the Main Unit and then plugging the Main Unit into your wall outlet. Push the power button on the Remote Control Transmitter and your dust collector will power on. A unique feature of this system is that you can program a unique frequency rather easily by changing the DIP switches on both the Main Unit and the Remote Control Transmitter. We will detail this process in these instructions.

Please read and fully understand any and all safety materials that came with your power tools or machinery before operation. Always follow all safety guidelines set in place by the power tool or machine manufacturer.

Specifications

Remote Power Control

	110V Dust Collectors	220V Dust Collectors
Power	110V, 1PH	220V, 1PH
Remote Type	RF	RF
Use	Indoor Only	Indoor Only
Net Weight	2½ lbs	2½ lbs

Dust Collector Requirements

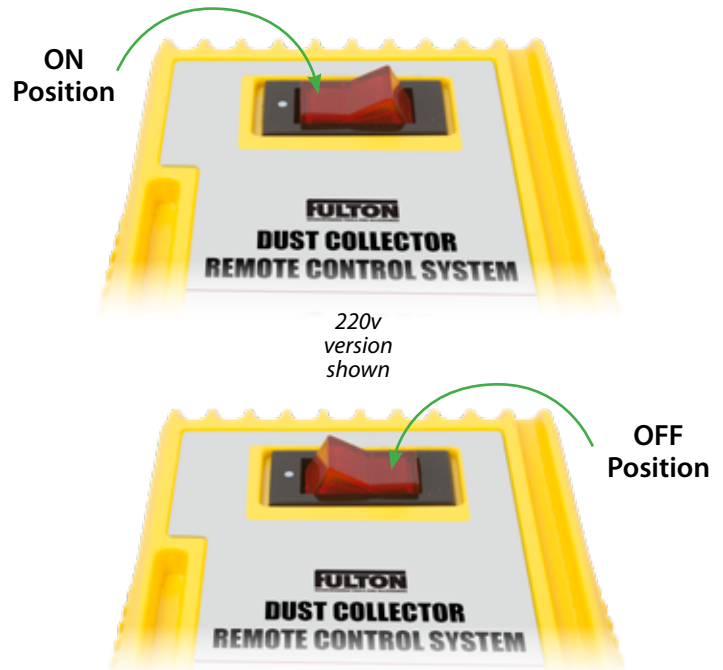
	110V Dust Collectors	220V Dust Collectors
Voltage Type	110V, 1PH	220V, 1PH
Max HP	1½ HP	3 HP
Outlet Rating (min)	15A	15A
Circuit Breaker (min)	15A	15A

CAUTION

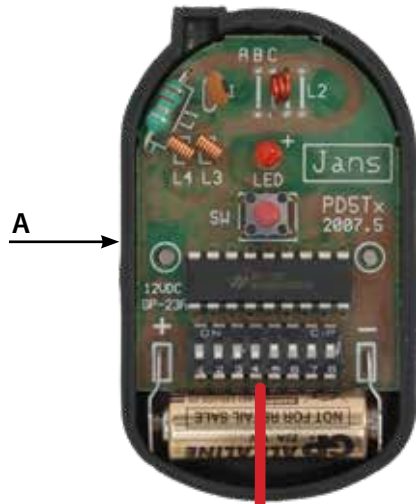
Before going live by hooking up to a power source, check to make sure the switch on the Main Unit and the Dust Collector are in the OFF position.

How To Use The Remote Control

1. With your power off on both the Main Unit and your dust collector, plug your dust collector into the Main Unit of the Dust Collector Remote Control System.
2. Plug the Main Unit into your wall outlet.
3. Turn your dust collector and Main Unit power switches to the ON position. The red light on the Main Unit should be lit up.
4. Press the power button on the Remote Control Transmitter. Your dust collector should now be running.
5. To Turn off your dust collector, press the power button on the Remote Control Transmitter again.



How To Change The Operating Frequency



1. Turn off and unplug the Main Unit from the wall outlet. Using a philips head screwdriver, remove the back cover of the Main Unit and the Remote Transmitter
2. Locate the DIP switches on each of the units.
3. Change the Remote Transmitter DIP switches (A) to any combination that you so choose. As long as the combinations are NOT the same as any other remote units in your shop.
4. Change the Main Unit DIP switches (B) to the same combination as the Remote Transmitter.
5. Replace both covers back on to each unit.
6. Plug the Main Unit back into the wall outlet, turn it on and press the Power button on the Remote Transmitter to test the unit.
7. Verify that no other machinery using a remote turns on.

