



Micro Jig, Inc.
 PO Box 195607
 Winter Springs, FL 32719 USA

Tel: 407-696-6695
 Web site: www.microjig.com
 Email: sales@microjig.com

Copyright © 2004 Micro Jig, Inc.

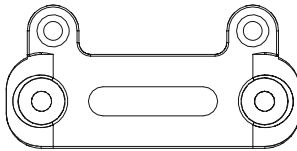
MJ Handle Bridge Kit (Model # GRHB-010) for the GRR-Ripper® System Installation Manual (V1.0) 1204

MJ Handle Bridges were developed to distribute more even pressure to the entire surface of each Non-Slip Pad on your GRR-Ripper® by increasing the number of contact points when downward force is applied through the handle. The installation of MJ Handle Bridges will provide increased control, improved balanced pressure on the work piece, and virtually eliminate the need to adjust the location of the handle. The ultimate pusher system is now even better!

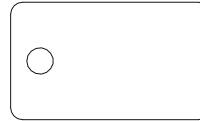
The MJ Handle Bridge Kit also includes a removable trailing hook template complete with hardware to further enhance your GRR-Ripper® System.

Patent Pending - Made in USA

Package contents



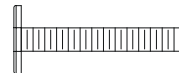
(10) Handle Bridge - 2 pcs
 Part # GR-P10



(9) Trailing Hook - 1 pc
 Part # GR-P9



(Q) 10-32 x 3/4" Pan Head Screws - 4 pcs
 Part # GR-H29



(E) 1/4-20 x 1 3/4" T-Bolt - 1 pc
 Part # GR-H12



(A) # 10 Flat washers - 4 pcs
 Part # GR-H1



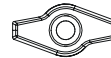
(B) 1/2" OD Flat washer - 1 pc
 Part # GR-H2



(H) 10-32 Offset Oval Nut - 4 pcs.
 Part # GR-H8

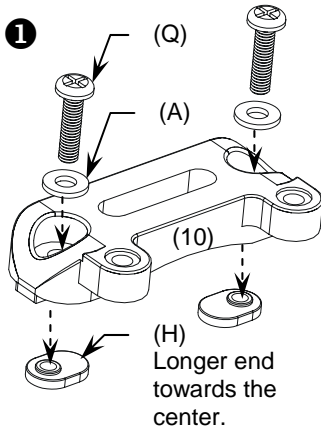


(R) 1/4-20 Square Nuts - 2 pcs
 Part # GR-H30



(N) 1/4-20 through hole knob - 1 pc
 Part # GR-H13

1

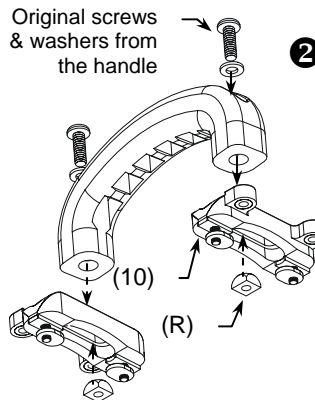


Installation

Step 1:
 Insert one 10-32 x 3/4" Pan Head screw (Q) and one washer (A) through each of the counter-bored holes of the Handle Bridge (10), then loosely thread on one 10-32 Offset Oval Nut (H).

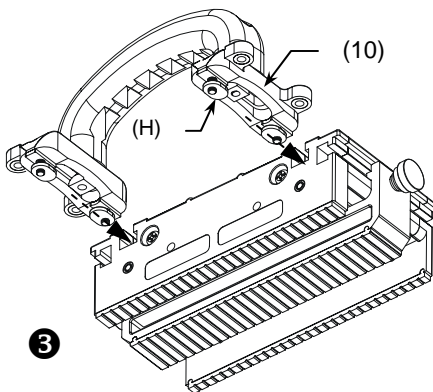
Repeat for the second Handle Bridge.

2



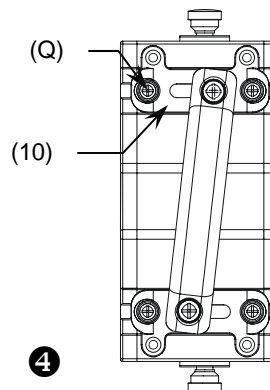
Step 2:
 Using the original screws and washers from the handle, insert through the handle holes, then through the long open slots on the top of each Handle Bridge (10). Place a 1/4-20 Square Nut (R) into the recessed slot on the bottom of each Handle Bridge (10) and loosely tighten onto the screws from the handle. The original 1/4-20 Oval Nuts from the handle may be substituted here.

3

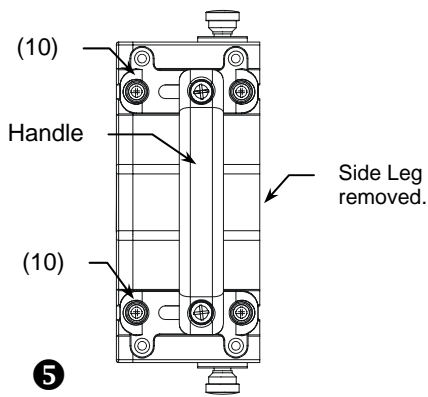


Step 3:
 Slide the assembly from Step 2 into the T-slots on the Main Body of the GRR-Ripper®. Be sure the brass inserts on the Handle Bridge face away from the handle, and the longer ends of Offset Oval Nuts (H) face the center of the Handle Bridge (10).

4



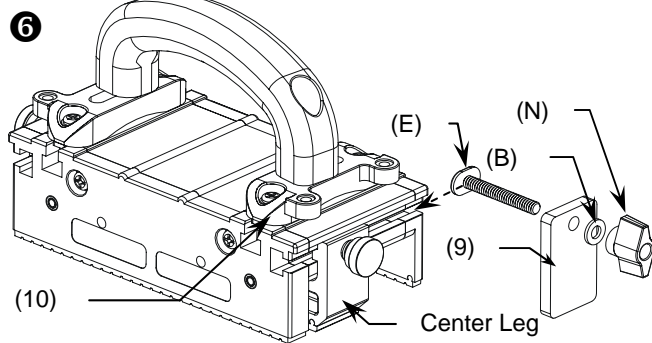
Step 4:
 Position both Handle Bridges (10) evenly, overlapping both side legs. Tighten all four screws (Q) to secure the Handle Bridges (10) onto the Main Body of the GRR-Ripper®. Adjust the handle to a comfortable position and tighten the screws in the handle. A skewed handle as shown will exert automatic pressure against the fence when pushed.



Step 5: There are a few configurations that will require adjustment of the Handle or the Handle Bridges. For example, when one of the Side Legs is removed for Full Profile Edge Routing as described in the GRR-Ripper® Manual, both Handle Bridges (10) must then be relocated to the side of the Main Body with the remaining Side Leg. This will allow the exposed straight edge of the Main Body to be in full contact with the fence. This set-up clearly demonstrates the reason why the longer ends of the Offset Oval Nuts (H) must point toward the center of the Main Body—so that they are not protruding from the straight edge of the Main Body when the GRR-Ripper® is configured with one Side Leg removed.

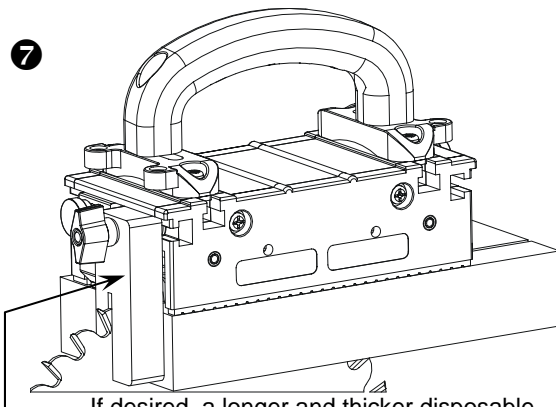
As illustrated, the Handle can always be adjusted in a straight orientation if desired. The brass inserts on the Handle Bridge are for future developments.

BONUS ACCESSORY: Included is a removable **Trailing Hook** for installation on the back of the GRR-Ripper® to assist feeding the work piece from the trailing end—for use on the table saw, router table and band saw.

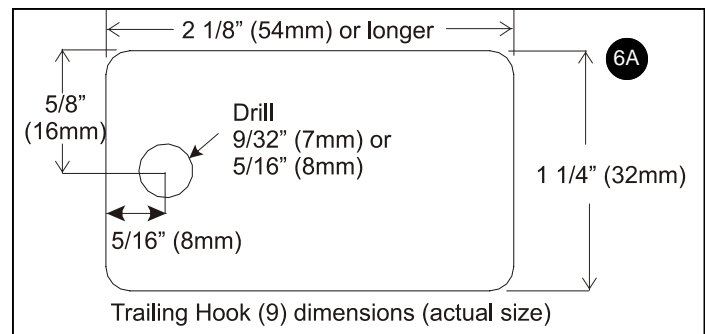


The supplied Trailing Hook (9) should be used as a template—make your own disposable trailing hooks out of plywood that is at least 1/4" (6mm) thick - see Fig. 6A. Width : 1 1/4" (32mm)
Length : 2 1/8" (54mm) or longer as needed.
Hole diameter: 9/32" (7mm) or 5/16" (8mm).
Hole center: 5/8" (16mm) from the long side, 5/16" (8mm) from the top.

Assemble the supplied hardware to the user-made trailing hook (9) as shown in Figure 6 and slide the T-Bolt (E) into the end slot of the GRR-Ripper® to either side of the Center Leg as needed, then tighten knob (N).



If desired, a longer and thicker disposable user-made trailing hook (9) also helps to reduce splintering.



In Figure 7, a Trailing Hook (9) is added to feed heavy stock on a table saw. Here the Trailing Hook (9) assists the Non-Slip Pads by also pushing on the back of both sides of the stock as the saw blade cuts through the disposable user-made trailing hook.

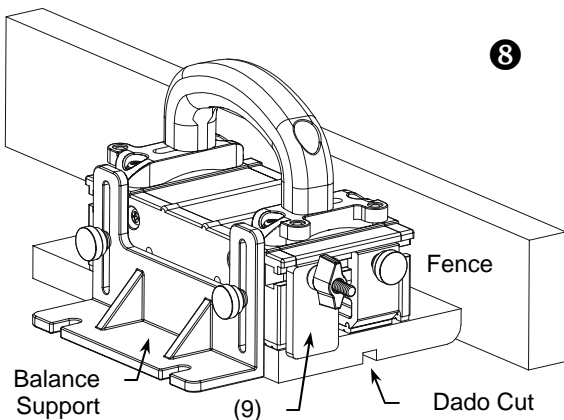


Figure 8 illustrates feeding the work piece from its left trailing corner. The Balance Support is lowered in contact with the table top and pushes the stock in from its left edge toward the fence while the Trailing Hook (9) pushes the stock forward. Note that in this set-up the GRR-Ripper® is not in contact with the fence throughout the cutting operation as is normally the case—the stock is fed with only the edge of the stock against the fence.

Important: This configuration—with the Balance Support pushing the left edge of the stock—**MUST NEVER** be used when the stock dimension will be changed during the cutting operation. For example, if this set-up were used on a table saw ripping operation, the Balance Support would push the off-cut piece into the left side of the spinning saw blade! You can, however, use this setup when cutting dados on a table saw or router table, or when milling a PARTIAL EDGE profile (e.g., a round-over), or when using stile and rail router bits with a ball bearing guide.