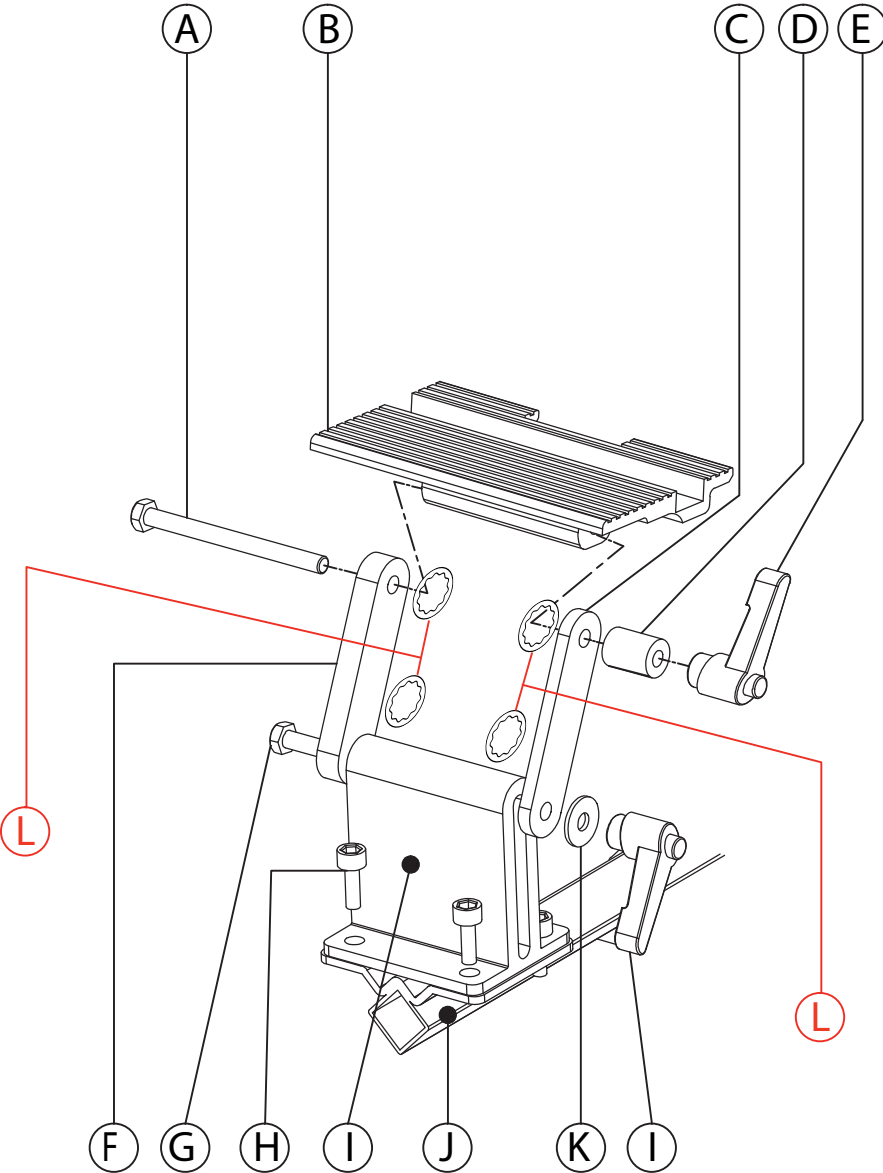


Updated Platform Assembly Instructions

Internal Lock Washer



No.	Part Description	Qty
A	M6 x 100mm Bolt	1
B	Platform	1
C	Solid Platform Arm	2
D	Long PVC Bushing-BK	1
E	Locking Knob Female	3
F	Milled Platform Arm	1
G	M6 x 90mm Bolt	1
H	1/4" x 3/8" Screw-BK	4
I	Platform Base	1
J	Platform Arm Attachment	1
K	PVC Bushing BK	1
L	Internal Lock Washers	4

The internal lock washers (L) must be placed on the inside of the Solid Platform Arm (C) and the Milled Platform Arm (F) as shown in the illustration above. This will prevent the platform and arms from moving when fully secured.