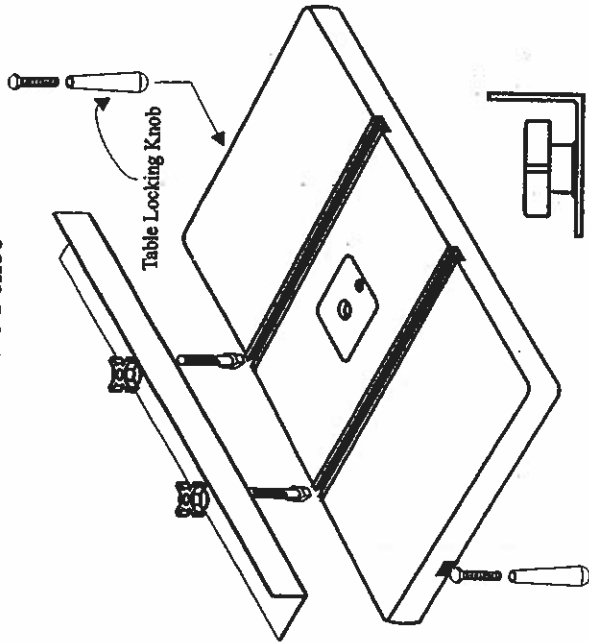
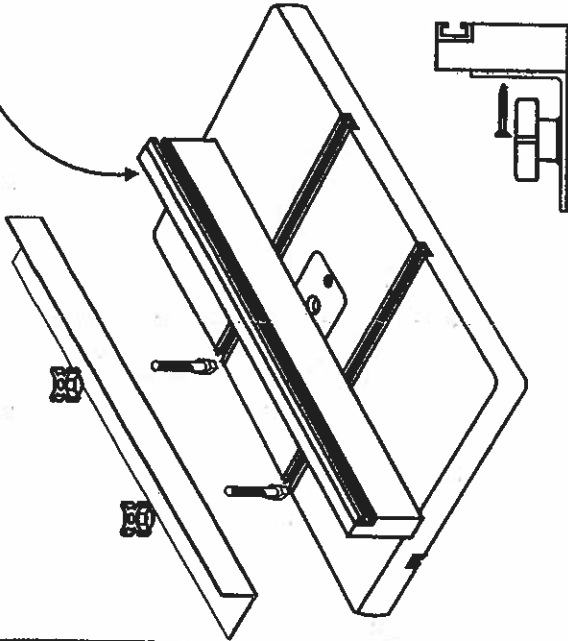


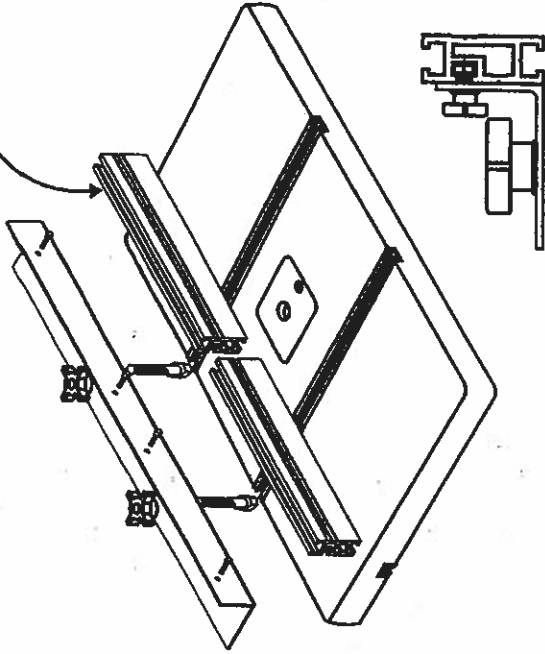
Typical 24" Aluminum L Fence Installation
on Drill Press Table as stand alone Drill Press
Table Fence



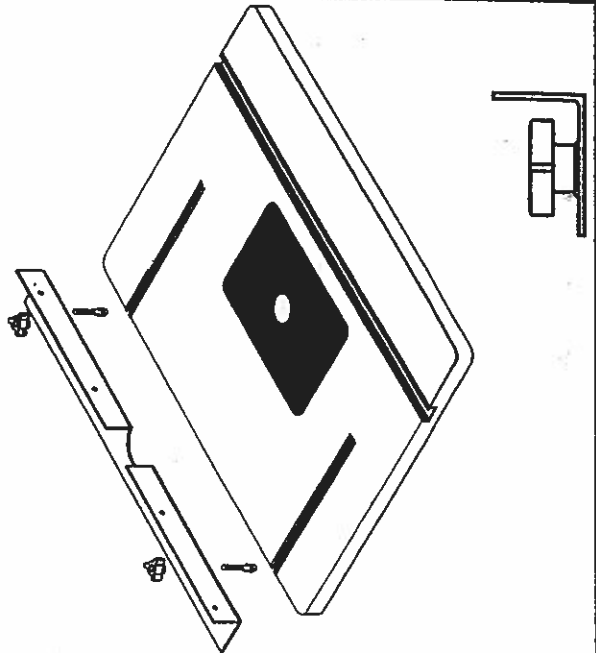
Typical 24" Aluminum L Fence Installation
on Drill Press Table with optional Part # 20128
Wooden Fence



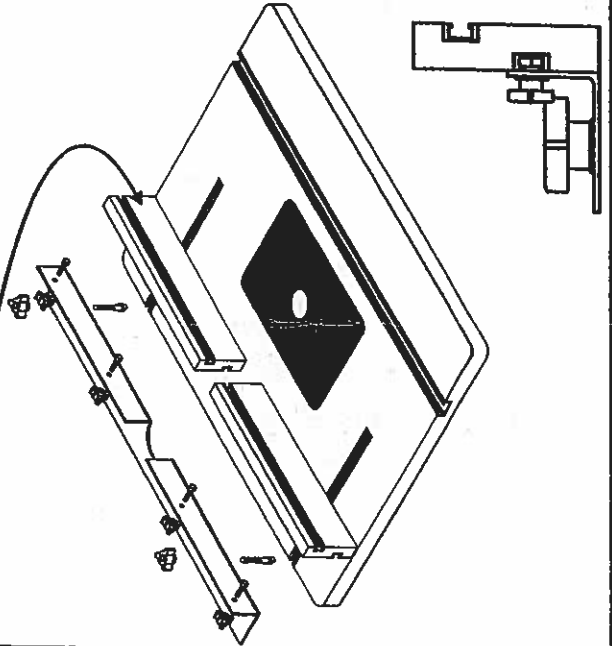
Typical 24" Aluminum L Fence Installation
on Drill Press Table with optional Part # 20421
Aluminum Fence Sections



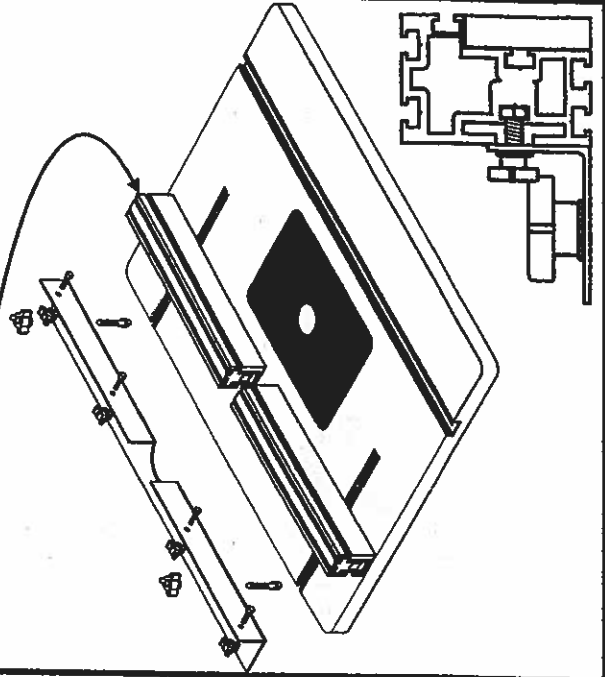
Typical 32" Aluminum L Fence Installation
on Router Table as stand alone Router Table Fence



Typical 32" Aluminum L Fence Installation
on Router Table with optional
Part # 20391 Wooden Fence Sections



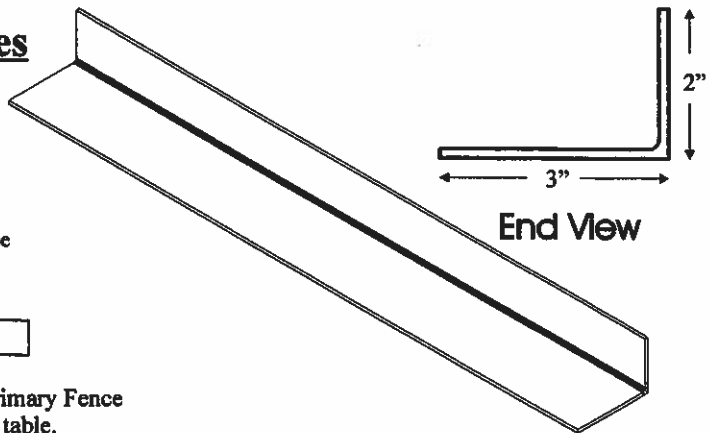
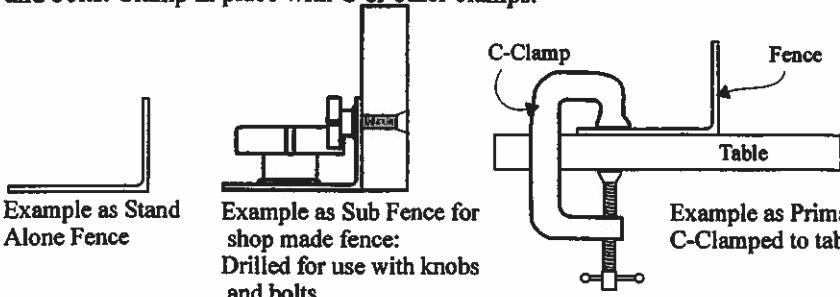
Typical 32" Aluminum L Fence Installation
on Router Table with optional
Part # 20504 Uni-T Router Fence Sections



24", 32" and 48" Aluminum Fence - No Holes

Typical Uses: Stand alone fence or sub fence for router tables, drill press tables and shop made jigs and fixtures.

Typical Mounting Options: Drill as application requires for use with knobs and bolts. Clamp in place with C or other clamps.

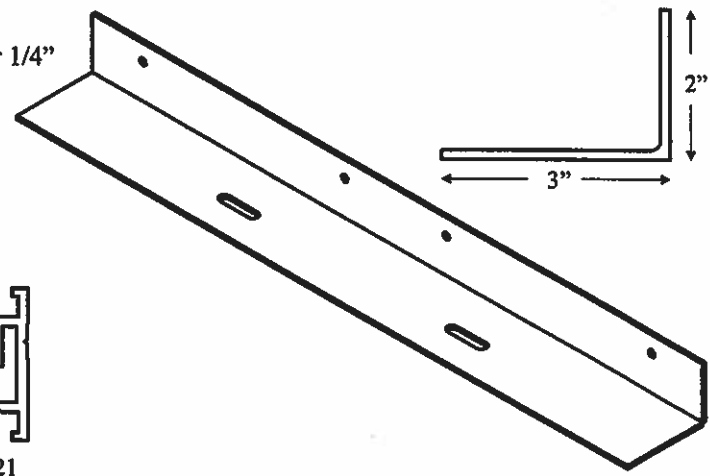
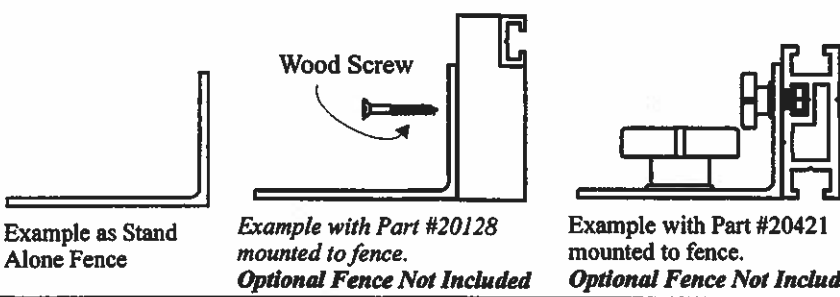


Knobs, bolts and other mounting hardware not included

24" Pre-Drilled Aluminum Fence

The 24" Pre-Drilled Aluminum Fence is drilled on the fence face with four 1/4" fence mounting holes and slotted on base (bottom) side for 3/8" bolts.

Typical Uses: Stand alone fence or sub fence for drill press tables and shop made jigs and fixtures.

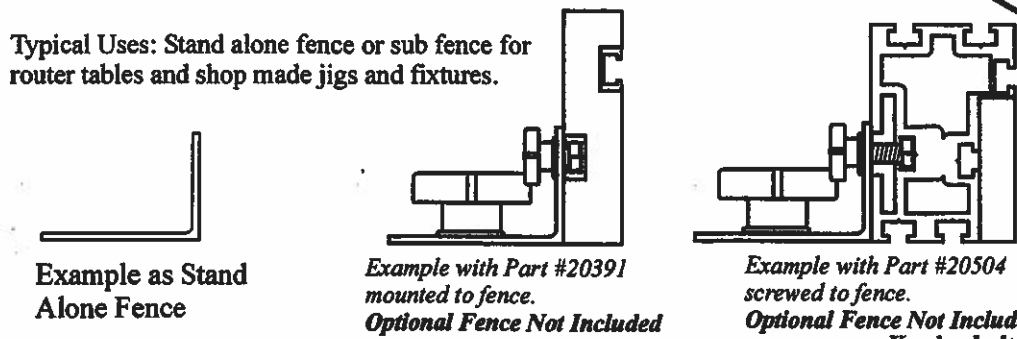


Knobs, bolts and other mounting hardware not included

32" Pre-Drilled Aluminum Fence with center hole

The 32" Pre-Drilled Aluminum Fence is drilled on the fence face with four 1/4" fence mounting holes and slotted on base (bottom) side for 1/4" bolts.

Typical Uses: Stand alone fence or sub fence for router tables and shop made jigs and fixtures.



Knobs, bolts and other mounting hardware not included

Aluminum Fence Alignment

Depending on the fence mounting surface and that the Aluminum Fence is made from a non-machined extrusion there may be some shimming required to bring the fence or an add on fence square. The amount of shimming required is very slight and can normally be done with masking tape.

