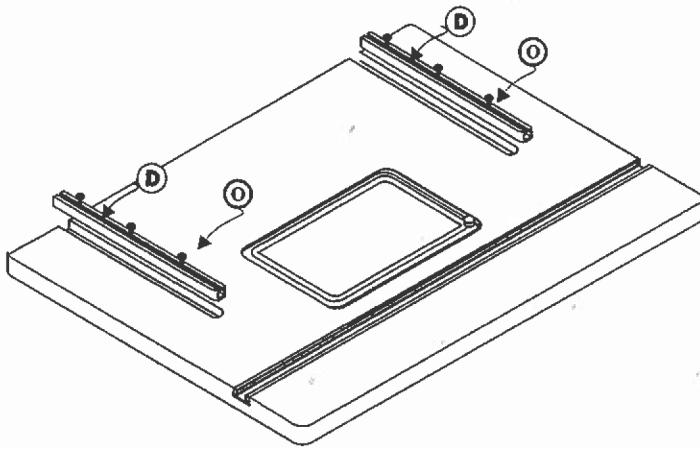


# Router Table Kit Assembly Instructions

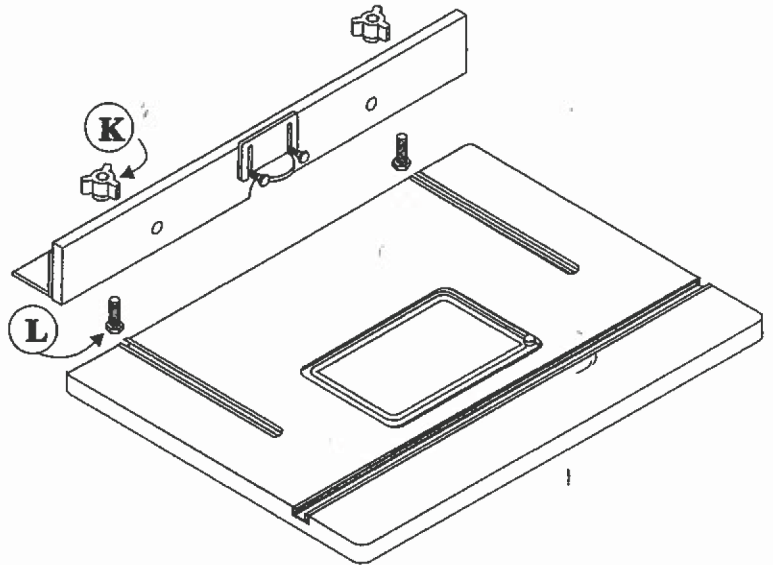
## Step 1

Insert and screw (Part # D) Fence Adjustment T-Tracks in the Router Top with (Part # O) the 6 ea. #3 wood screws.



## Step 2

Mount the pre-assembled Router Table Fence to the Router Table Top using (Part # L) Aluminum Fence Locking bolts and (Part # K) Aluminum Fence Locking Knobs



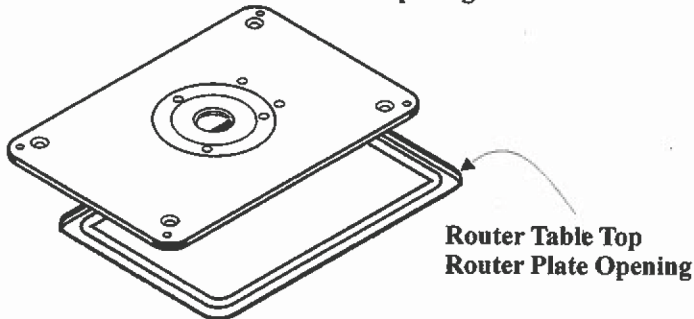
## Step 3 Installing The Plate Height Adjustment Screws and Magnetic Screw Pads

### Note:

The Magnet Plate Height Adjustment Screw Pads prevent the Height Adjustment Screws from digging into the Router Table Top and allow for a more permanent adjustment and less Router Plate movement.

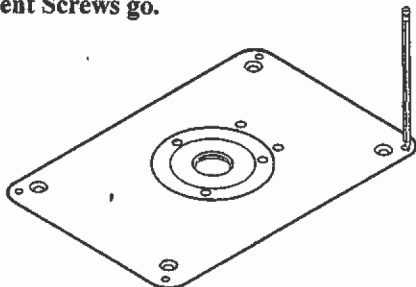
### Step 1

Insert the router Plate in the Router Table Opening



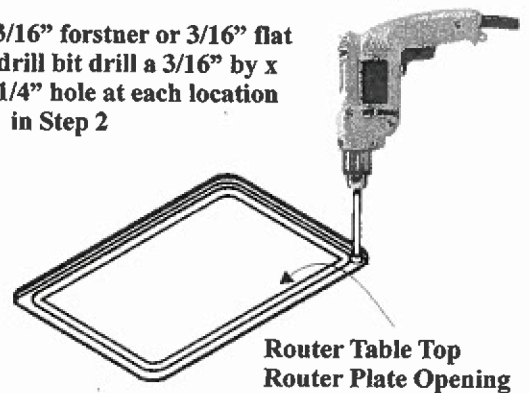
### Step 2

With a sharp pencil mark the 4 corner holes where the Plate Adjustment Screws go.



### Step 3

With a 3/16" forstner or 3/16" flat bottom drill bit drill a 3/16" by x 3/16" x 1/4" hole at each location marked in Step 2



### Step 4

Insert Magnets (Part # P) in all 4 corners of the Router Plate hole and the Plate Height Adjustment Screws in the 4 corners of the Router Plate. Insert the Router Plate in the Router Table, then adjust the Router Plate to a flush fit to the top of the Router Table with the Allen Wrench (Part # R).

